

MX PRO 2

MAIN CHARACTERISTICS

Applications	Street and architectural lighting.
Optic	<p>STE-M/S: Asymmetrical optic for suburban street lighting. STU-M/S: Asymmetrical optic for street, urban and cycle-path lighting. STW: Asymmetrical optic for wide urban and suburban road lighting, specific for wet asphalts. SV: Asymmetrical optic for very narrow urban streets or highway entrance/exit turns. S05/S07: Asymmetrical optic for street, urban and green areas lighting. STA: Asymmetrical optic for wide urban road and cycle-path lighting. AS: Asymmetrical optics for floodlighting. Colour temperature: 4000K, 3000K, 2700K, 2200K (others in option) CRI ≥ 70 LOR= 100%, DLOR= 100%, ULOR= 0% Photobiological safety class: EXEMPT GROUP LED source efficiency: 185 lm/W @ 140mA, Tj=85°C, 4000K</p>
Insulation class	II, I
Protection degree	IP66/IP67 IK09 total
Dimensions	See the drawing
Weight	max 11kg (without fixing flange)
Exposed surface	Side: 0.038m ² – Top: 0.22m ² SCx 0.256 m ²
Mounting	Mounting with integrated flange
Tilt Angle	See luminaire inclination detail.
LED Modules	Removable / Replaceable.
Gear tray	Removable.
Operating temp.	-40°C / +55°C
Storage temp	-40°C / +80°C
Main reference standards	EN 60598-1, EN 60598-2-3, EN 60598-2-5, IEC 62471, EN 55015, EN 61547, EN 61000-3-2, EN 61000-3-3



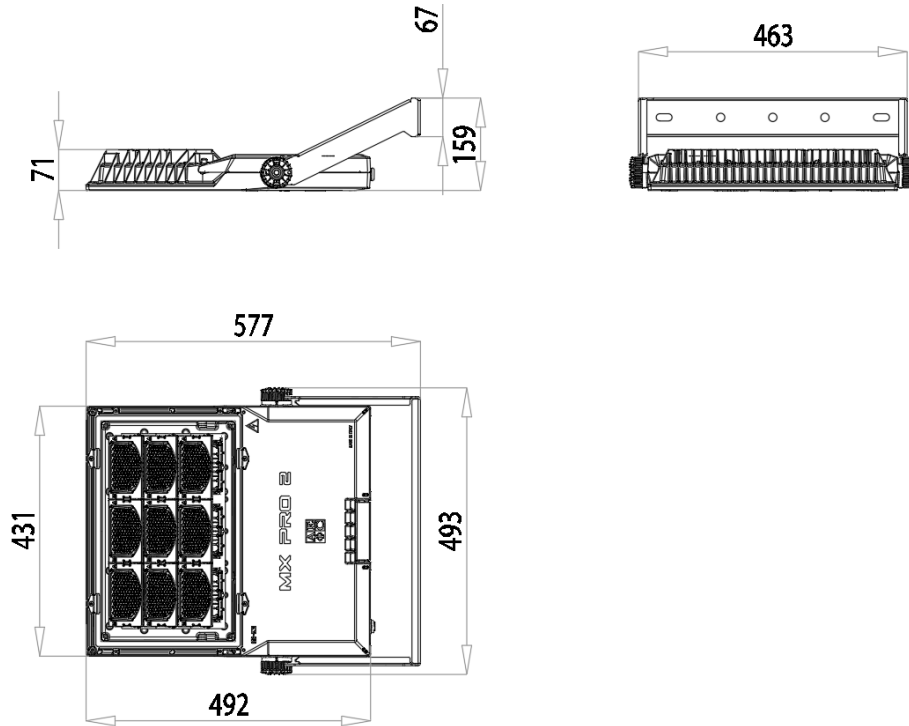
ELECTRICAL CHARACTERISTICS

Rated voltage	220+240V 50/60Hz (Standard tolerance +/-10%, other voltages and tolerances upon request)
Power factor	>0,95 (at full load - F, DA, DAC)
Mains connection	Terminal block for cables max section 4mm ²
Surge protection	Up to 12kV With SPD: CL.II: 10kV / 10kV CM/DM CL.I: 12kV / 10kV CM/DM Without SPD: CL.II: 10kV / 6kV CM/DM CL.I: 10kV / 6kV CM/DM
SPD (optional)	12kV-10kA, type 2+3, with LED signal and thermo fuse to disconnect load at the end of life.
Control system (options)	<p>F: Fixed power not dimmable. DA: Automatic dimming (virtual midnight) with default profile. DAC: Custom DA profile. FLC: Constant light flux. DALI: Digital dimming interface DALI. NEMA: Socket 7 pin (ANSI C136.41). ZHAGA: Socket 4 pin (ZHAGA Book 18).</p>
Optical unit lifetime (Tq=25°C)	>100.000hr L90B10 >100.000hr L90, TM-21

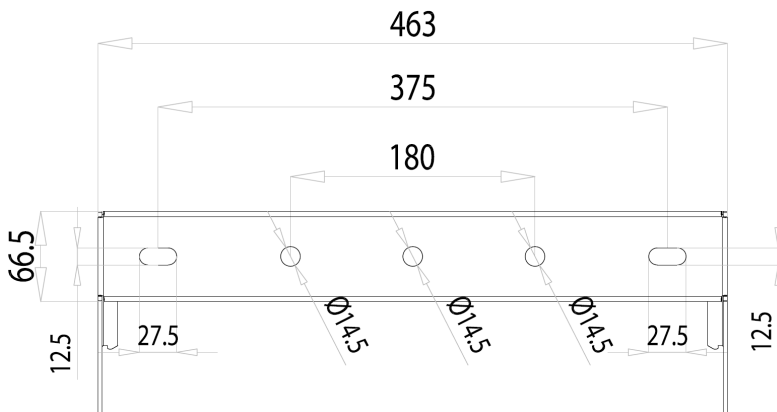
MATERIALS

Fixing	AISI 304 stainless steel
Lower frame	Die-cast aluminum UNI EN1706 powder painted.
Upper canopy	
Closure hook	Extruded aluminium with stainless steel spring.
Optic	99.85% aluminum with a surface finish in 99.95% with vacuum-sealed deposition. Aluminum grade class A+ (DIN EN 16268)
Screen	Flat tempered glass, 5mm thickness high transparency.
Cable gland	Metallic M20x1.5 - IP68
Gasket	Polyurethane
Colour	Graphite - Cod. 01

DIMENSIONAL DRAWING



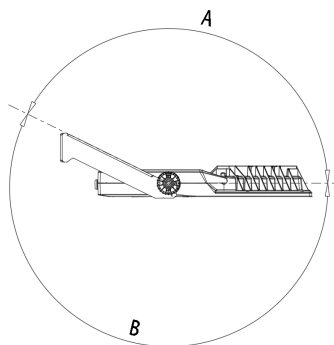
FIXING BRACKET DETAIL



Bracket weight: 1.7kg

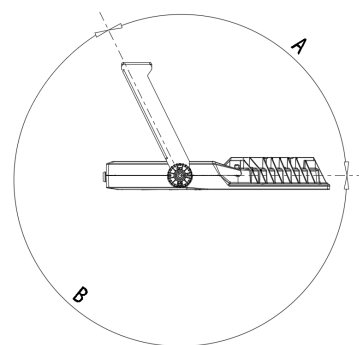
LUMINAIRE INCLINATION DETAIL

STANDARD BRACKET INSTALLATION



A=140°
B=180°

INVERTED BRACKET INSTALLATION



A=90°
B=230°



LUMINAIRE	OPTIC	LED CURRENT (mA)	RATED LUMINAIRE FLUX* (Tq=25°C, 4000K, lm)	RATED LUMINAIRE POWER* (Tq=25°C, Vin=230Vac, F/DA/DAC, W)	LUMINAIRE EFFICACY (Tq=25°C, lm/W)	RATED LED FLUX* (Tj=85°C, 4000K, lm)	RATED LED POWER* (Tj=85°C, W)	Ta MAX (°C)
MX PRO 2 5P5 7040.060-5M	STE-M STU-M STW SV	60	8960	53.4	167	9234	47	50
MX PRO 2 5P5 7040.060-6M			10750	63.9	168	11081	56.4	50
MX PRO 2 5P5 7040.060-7M			12590	74.4	169	12928	65.8	50
MX PRO 2 5P5 7040.060-8M			14390	86.5	166	14775	75.2	50
MX PRO 2 5P5 7040.060-9M			16190	97.4	166	16622	84.6	50
MX PRO 2 5P5 7040.100-5M		100	14480	88.6	163	15115	79.8	50
MX PRO 2 5P5 7040.100-6M			17360	106	163	18138	95.7	50
MX PRO 2 5P5 7040.100-7M			20230	125	161	21161	112	50
MX PRO 2 5P5 7040.100-8M			23050	142	162	24184	128	50
MX PRO 2 5P5 7040.100-9M			25930	160	162	27207	144	50
MX PRO 2 5P5 7040.140-5M		140	19620	125	156	20748	113	50
MX PRO 2 5P5 7040.140-6M			23460	150	156	24897	136	50
MX PRO 2 5P5 7040.140-7M			27170	177	153	29047	159	50
MX PRO 2 5P5 7040.140-8M			30810	200	154	33197	181	50
MX PRO 2 5P5 7040.140-9M			34660	225	154	37346	204	50
MX PRO 2 5P5 7040.180-5M		180	24430	164	148	26133	148	50
MX PRO 2 5P5 7040.180-6M			29120	197	147	31359	177	50
MX PRO 2 5P5 7040.180-7M			33630	231	145	36586	207	35
MX PRO 2 5P5 7040.180-8M			38060	263	144	41812	236	35
MX PRO 2 5P5 7040.180-9M			42810	296	144	47039	266	35
MX PRO 2 5P5 7040.060-5M	S05 S07 STA STE-S STU-S	60	8750	53.4	163	9234	47	50
MX PRO 2 5P5 7040.060-6M			10500	63.9	164	11081	56.4	50
MX PRO 2 5P5 7040.060-7M			12300	74.4	165	12928	65.8	50
MX PRO 2 5P5 7040.060-8M			14080	86.5	162	14775	75.2	50
MX PRO 2 5P5 7040.060-9M			15840	97.4	162	16622	84.6	50
MX PRO 2 5P5 7040.100-5M		100	14150	88.6	159	15115	79.8	50
MX PRO 2 5P5 7040.100-6M			16960	106	160	18138	95.7	50
MX PRO 2 5P5 7040.100-7M			19780	125	158	21161	112	50
MX PRO 2 5P5 7040.100-8M			22550	142	158	24184	128	50
MX PRO 2 5P5 7040.100-9M			25370	160	158	27207	144	50

LUMINAIRE	OPTIC	LED CURRENT (mA)	RATED LUMINAIRE FLUX* (Tq=25°C, 4000K, lm)	RATED LUMINAIRE POWER* (Tq=25°C, Vin=230Vac, F/DA/DAC, W)	LUMINAIRE EFFICACY (Tq=25°C, lm/W)	RATED LED FLUX* (Tj=85°C, 4000K, lm)	RATED LED POWER* (Tj=85°C, W)	Ta MAX (°C)
MX PRO 2 5P5 7040.140-5M			19190	125	153	20748	113	50
MX PRO 2 5P5 7040.140-6M			22940	150	152	24897	136	50
MX PRO 2 5P5 7040.140-7M		140	26560	177	150	29047	159	50
MX PRO 2 5P5 7040.140-8M			30130	200	150	33197	181	50
MX PRO 2 5P5 7040.140-9M			33900	225	150	37346	204	50
MX PRO 2 5P5 7040.180-5M			23890	164	145	26133	148	50
MX PRO 2 5P5 7040.180-6M			28480	197	144	31359	177	50
MX PRO 2 5P5 7040.180-7M		180	32880	231	142	36586	207	35
MX PRO 2 5P5 7040.180-8M			37210	263	141	41812	236	35
MX PRO 2 5P5 7040.180-9M			41870	296	141	47039	266	35
MX PRO 2 5P5 7040.060-5M			8750	53.4	163	9234	47	50
MX PRO 2 5P5 7040.060-6M			10500	63.9	164	11081	56.4	50
MX PRO 2 5P5 7040.060-7M		60	12300	74.4	165	12928	65.8	50
MX PRO 2 5P5 7040.060-8M			14080	86.5	162	14775	75.2	50
MX PRO 2 5P5 7040.060-9M			15840	97.4	162	16622	84.6	50
MX PRO 2 5P5 7040.100-5M			14150	88.6	159	15115	79.8	50
MX PRO 2 5P5 7040.100-6M			16960	106	160	18138	95.7	50
MX PRO 2 5P5 7040.100-7M		100	19780	125	158	21161	112	50
MX PRO 2 5P5 7040.100-8M			22550	142	158	24184	128	50
MX PRO 2 5P5 7040.100-9M	AS-45M		25370	160	158	27207	144	50
MX PRO 2 5P5 7040.140-5M	AS-45N		19190	125	153	20748	113	50
MX PRO 2 5P5 7040.140-6M	AS-45W		22940	150	152	24897	136	50
MX PRO 2 5P5 7040.140-7M		140	26560	177	150	29047	159	50
MX PRO 2 5P5 7040.140-8M			30130	200	150	33197	181	50
MX PRO 2 5P5 7040.140-9M			33900	225	150	37346	204	50
MX PRO 2 5P5 7040.180-5M			23890	164	145	26133	148	50
MX PRO 2 5P5 7040.180-6M			28480	197	144	31359	177	50
MX PRO 2 5P5 7040.180-7M		180	32880	231	142	36586	207	35
MX PRO 2 5P5 7040.180-8M			37210	263	141	41812	236	35
MX PRO 2 5P5 7040.180-9M			41870	296	141	47039	266	35

LUMINAIRE	OPTIC	LED CURRENT (mA)	RATED LUMINAIRE FLUX* (Tq=25°C, 4000K, lm)	RATED LUMINAIRE POWER* (Tq=25°C, Vin=230Vac, F/DA/DAC, W)	LUMINAIRE EFFICACY (Tq=25°C, lm/W)	RATED LED FLUX* (Tj=85°C, 4000K, lm)	RATED LED POWER* (Tj=85°C, W)	Ta MAX (°C)
MX PRO 2 5P5 7040.060-5M	AS-55M AS-55N AS-55W	60	8650	53.4	161	9234	47	50
MX PRO 2 5P5 7040.060-6M			10380	63.9	162	11081	56.4	50
MX PRO 2 5P5 7040.060-7M			12170	74.4	163	12928	65.8	50
MX PRO 2 5P5 7040.060-8M			13910	86.5	160	14775	75.2	50
MX PRO 2 5P5 7040.060-9M			15660	97.4	160	16622	84.6	50
MX PRO 2 5P5 7040.100-5M		100	13990	88.6	157	15115	79.8	50
MX PRO 2 5P5 7040.100-6M			16770	106	158	18138	95.7	50
MX PRO 2 5P5 7040.100-7M			19560	125	156	21161	112	50
MX PRO 2 5P5 7040.100-8M			22290	142	156	24184	128	50
MX PRO 2 5P5 7040.100-9M			25080	160	156	27207	144	50
MX PRO 2 5P5 7040.140-5M		140	18970	125	151	20748	113	50
MX PRO 2 5P5 7040.140-6M			22680	150	151	24897	136	50
MX PRO 2 5P5 7040.140-7M			26260	177	148	29047	159	50
MX PRO 2 5P5 7040.140-8M			29790	200	148	33197	181	50
MX PRO 2 5P5 7040.140-9M			33510	225	148	37346	204	50
MX PRO 2 5P5 7040.180-5M		180	23620	164	144	26133	148	50
MX PRO 2 5P5 7040.180-6M			28150	197	142	31359	177	50
MX PRO 2 5P5 7040.180-7M			32500	231	140	36586	207	35
MX PRO 2 5P5 7040.180-8M			36790	263	139	41812	236	35
MX PRO 2 5P5 7040.180-9M			41390	296	139	47039	266	35
MX PRO 2 5P5 7040.060-5M	AS-65M AS-65N AS-65W	60	8350	53.4	156	9234	47	50
MX PRO 2 5P5 7040.060-6M			10020	63.9	156	11081	56.4	50
MX PRO 2 5P5 7040.060-7M			11750	74.4	157	12928	65.8	50
MX PRO 2 5P5 7040.060-8M			13440	86.5	155	14775	75.2	50
MX PRO 2 5P5 7040.060-9M			15120	97.4	155	16622	84.6	50
MX PRO 2 5P5 7040.100-5M		100	13510	88.6	152	15115	79.8	50
MX PRO 2 5P5 7040.100-6M			16190	106	152	18138	95.7	50
MX PRO 2 5P5 7040.100-7M			18880	125	151	21161	112	50
MX PRO 2 5P5 7040.100-8M			21530	142	151	24184	128	50
MX PRO 2 5P5 7040.100-9M			24220	160	151	27207	144	50

LUMINAIRE	OPTIC	LED CURRENT (mA)	RATED LUMINAIRE FLUX* (Tq=25°C, 4000K, lm)	RATED LUMINAIRE POWER* (Tq=25°C, Vin=230Vac, F/DA/DAC, W)	LUMINAIRE EFFICACY (Tq=25°C, lm/W)	RATED LED FLUX* (Tj=85°C, 4000K, lm)	RATED LED POWER* (Tj=85°C, W)	Ta MAX (°C)
MX PRO 2 5P5 7040.140-5M		140	18320	125	146	20748	113	50
MX PRO 2 5P5 7040.140-6M			21900	150	146	24897	136	50
MX PRO 2 5P5 7040.140-7M			25350	177	143	29047	159	50
MX PRO 2 5P5 7040.140-8M			28760	200	143	33197	181	50
MX PRO 2 5P5 7040.140-9M			32360	225	143	37346	204	50
MX PRO 2 5P5 7040.180-5M		180	22810	164	139	26133	148	50
MX PRO 2 5P5 7040.180-6M			27190	197	138	31359	177	50
MX PRO 2 5P5 7040.180-7M			31380	231	135	36586	207	35
MX PRO 2 5P5 7040.180-8M			35520	263	135	41812	236	35
MX PRO 2 5P5 7040.180-9M			39970	296	135	47039	266	35

*RATED LUMINAIRE FLUX / RATED LUMINAIRE POWER: Rated data obtained in laboratory.

*RATED LED FLUX / RATED LED POWER: Rated data extrapolated from LED manufacturer datasheet.

Values indicated in this technical sheet are to be considered rated values. Flux tolerance: $\pm 7\%$. Power tolerance: $\pm 7\%$.

Power tolerance with ZHAGA version or power supply D4i/SR: $\pm 10\%$.

The characteristics of the product listed above are subjected to change without notice.

LUMINAIRE	OPTIC	LED CURRENT (mA)	RATED LUMINAIRE FLUX* (Tq=25°C, 3000K, lm)	RATED LUMINAIRE POWER* (Tq=25°C, Vin=230Vac, F/DA/DAC, W)	LUMINAIRE EFFICACY (Tq=25°C, lm/W)	RATED LED FLUX* (Tj=85°C, 3000K, lm)	RATED LED POWER* (Tj=85°C, W)	Ta MAX (°C)	
MX PRO 2 5P5 7030.060-5M	STE-M STU-M STW SV	60	8420	53.4	157	8680	47	50	
MX PRO 2 5P5 7030.060-6M			10100	63.9	158	10416	56.4	50	
MX PRO 2 5P5 7030.060-7M			11830	74.4	159	12152	65.8	50	
MX PRO 2 5P5 7030.060-8M			13530	86.5	156	13888	75.2	50	
MX PRO 2 5P5 7030.060-9M			15220	97.4	156	15624	84.6	50	
MX PRO 2 5P5 7030.100-5M			100	13610	88.6	153	14208	79.8	50
MX PRO 2 5P5 7030.100-6M		16320		106	153	17050	95.7	50	
MX PRO 2 5P5 7030.100-7M		19020		125	152	19891	112	50	
MX PRO 2 5P5 7030.100-8M		21670		142	152	22733	128	50	
MX PRO 2 5P5 7030.100-9M		24370		160	152	25575	144	50	
MX PRO 2 5P5 7030.140-5M		140		18440	125	147	19503	113	50
MX PRO 2 5P5 7030.140-6M			22050	150	147	23404	136	50	
MX PRO 2 5P5 7030.140-7M			25540	177	144	27304	159	50	
MX PRO 2 5P5 7030.140-8M			28960	200	144	31205	181	50	
MX PRO 2 5P5 7030.140-9M			32580	225	144	35105	204	50	
MX PRO 2 5P5 7030.180-5M			180	22970	164	140	24565	148	50
MX PRO 2 5P5 7030.180-6M		27370		197	138	29478	177	50	
MX PRO 2 5P5 7030.180-7M		31610		231	136	34391	207	35	
MX PRO 2 5P5 7030.180-8M		35770		263	136	39303	236	35	
MX PRO 2 5P5 7030.180-9M		40250		296	135	44216	266	35	
MX PRO 2 5P5 7030.060-5M		S05 S07 STA STE-S STU-S		60	8220	53.4	153	8680	47
MX PRO 2 5P5 7030.060-6M			9870		63.9	154	10416	56.4	50
MX PRO 2 5P5 7030.060-7M			11570		74.4	155	12152	65.8	50
MX PRO 2 5P5 7030.060-8M			13240		86.5	153	13888	75.2	50
MX PRO 2 5P5 7030.060-9M	14890		97.4		152	15624	84.6	50	
MX PRO 2 5P5 7030.100-5M	100		13300		88.6	150	14208	79.8	50
MX PRO 2 5P5 7030.100-6M			15940	106	150	17050	95.7	50	
MX PRO 2 5P5 7030.100-7M			18590	125	148	19891	112	50	
MX PRO 2 5P5 7030.100-8M			21200	142	149	22733	128	50	
MX PRO 2 5P5 7030.100-9M			23850	160	149	25575	144	50	

LUMINAIRE	OPTIC	LED CURRENT (mA)	RATED LUMINAIRE FLUX* (Tq=25°C, 3000K, lm)	RATED LUMINAIRE POWER* (Tq=25°C, Vin=230Vac, F/DA/DAC, W)	LUMINAIRE EFFICACY (Tq=25°C, lm/W)	RATED LED FLUX* (Tj=85°C, 3000K, lm)	RATED LED POWER* (Tj=85°C, W)	Ta MAX (°C)
MX PRO 2 5P5 7030.140-5M			18040	125	144	19503	113	50
MX PRO 2 5P5 7030.140-6M			21560	150	143	23404	136	50
MX PRO 2 5P5 7030.140-7M		140	24970	177	141	27304	159	50
MX PRO 2 5P5 7030.140-8M			28320	200	141	31205	181	50
MX PRO 2 5P5 7030.140-9M			31870	225	141	35105	204	50
MX PRO 2 5P5 7030.180-5M			22460	164	136	24565	148	50
MX PRO 2 5P5 7030.180-6M			26770	197	135	29478	177	50
MX PRO 2 5P5 7030.180-7M		180	30910	231	133	34391	207	35
MX PRO 2 5P5 7030.180-8M			34980	263	133	39303	236	35
MX PRO 2 5P5 7030.180-9M			39360	296	132	44216	266	35
MX PRO 2 5P5 7030.060-5M			8220	53.4	153	8680	47	50
MX PRO 2 5P5 7030.060-6M			9870	63.9	154	10416	56.4	50
MX PRO 2 5P5 7030.060-7M		60	11570	74.4	155	12152	65.8	50
MX PRO 2 5P5 7030.060-8M			13240	86.5	153	13888	75.2	50
MX PRO 2 5P5 7030.060-9M			14890	97.4	152	15624	84.6	50
MX PRO 2 5P5 7030.100-5M			13300	88.6	150	14208	79.8	50
MX PRO 2 5P5 7030.100-6M			15940	106	150	17050	95.7	50
MX PRO 2 5P5 7030.100-7M		100	18590	125	148	19891	112	50
MX PRO 2 5P5 7030.100-8M			21200	142	149	22733	128	50
MX PRO 2 5P5 7030.100-9M			23850	160	149	25575	144	50
MX PRO 2 5P5 7030.140-5M	AS-45M		18040	125	144	19503	113	50
MX PRO 2 5P5 7030.140-6M	AS-45N		21560	150	143	23404	136	50
MX PRO 2 5P5 7030.140-7M	AS-45W	140	24970	177	141	27304	159	50
MX PRO 2 5P5 7030.140-8M			28320	200	141	31205	181	50
MX PRO 2 5P5 7030.140-9M			31870	225	141	35105	204	50
MX PRO 2 5P5 7030.180-5M			22460	164	136	24565	148	50
MX PRO 2 5P5 7030.180-6M			26770	197	135	29478	177	50
MX PRO 2 5P5 7030.180-7M		180	30910	231	133	34391	207	35
MX PRO 2 5P5 7030.180-8M			34980	263	133	39303	236	35
MX PRO 2 5P5 7030.180-9M			39360	296	132	44216	266	35

LUMINAIRE	OPTIC	LED CURRENT (mA)	RATED LUMINAIRE FLUX* (Tq=25°C, 3000K, lm)	RATED LUMINAIRE POWER* (Tq=25°C, Vin=230Vac, F/DA/DAC, W)	LUMINAIRE EFFICACY (Tq=25°C, lm/W)	RATED LED FLUX* (Tj=85°C, 3000K, lm)	RATED LED POWER* (Tj=85°C, W)	Ta MAX (°C)	
MX PRO 2 5P5 7030.060-5M	AS-55M AS-55N AS-55W	60	8130	53.4	152	8680	47	50	
MX PRO 2 5P5 7030.060-6M			9760	63.9	152	10416	56.4	50	
MX PRO 2 5P5 7030.060-7M			11440	74.4	153	12152	65.8	50	
MX PRO 2 5P5 7030.060-8M			13080	86.5	151	13888	75.2	50	
MX PRO 2 5P5 7030.060-9M			14720	97.4	151	15624	84.6	50	
MX PRO 2 5P5 7030.100-5M			13150	88.6	148	14208	79.8	50	
MX PRO 2 5P5 7030.100-6M		100	15760	106	148	17050	95.7	50	
MX PRO 2 5P5 7030.100-7M			18390	125	147	19891	112	50	
MX PRO 2 5P5 7030.100-8M			20950	142	147	22733	128	50	
MX PRO 2 5P5 7030.100-9M			23580	160	147	25575	144	50	
MX PRO 2 5P5 7030.140-5M			140	17830	125	142	19503	113	50
MX PRO 2 5P5 7030.140-6M				21320	150	142	23404	136	50
MX PRO 2 5P5 7030.140-7M		24680		177	139	27304	159	50	
MX PRO 2 5P5 7030.140-8M		28000		200	140	31205	181	50	
MX PRO 2 5P5 7030.140-9M		31500		225	140	35105	204	50	
MX PRO 2 5P5 7030.180-5M		180		22200	164	135	24565	148	50
MX PRO 2 5P5 7030.180-6M			26460	197	134	29478	177	50	
MX PRO 2 5P5 7030.180-7M			30550	231	132	34391	207	35	
MX PRO 2 5P5 7030.180-8M	34590		263	131	39303	236	35		
MX PRO 2 5P5 7030.180-9M	38910		296	131	44216	266	35		
MX PRO 2 5P5 7030.060-5M	AS-65M AS-65N AS-65W		60	7850	53.4	147	8680	47	50
MX PRO 2 5P5 7030.060-6M		9420		63.9	147	10416	56.4	50	
MX PRO 2 5P5 7030.060-7M		11040		74.4	148	12152	65.8	50	
MX PRO 2 5P5 7030.060-8M		12640		86.5	146	13888	75.2	50	
MX PRO 2 5P5 7030.060-9M		14210		97.4	145	15624	84.6	50	
MX PRO 2 5P5 7030.100-5M		100		12700	88.6	143	14208	79.8	50
MX PRO 2 5P5 7030.100-6M			15220	106	143	17050	95.7	50	
MX PRO 2 5P5 7030.100-7M			17750	125	142	19891	112	50	
MX PRO 2 5P5 7030.100-8M			20240	142	142	22733	128	50	
MX PRO 2 5P5 7030.100-9M			22770	160	142	25575	144	50	

LUMINAIRE	OPTIC	LED CURRENT (mA)	RATED LUMINAIRE FLUX* (Tq=25°C, 3000K, lm)	RATED LUMINAIRE POWER* (Tq=25°C, Vin=230Vac, F/DA/DAC, W)	LUMINAIRE EFFICACY (Tq=25°C, lm/W)	RATED LED FLUX* (Tj=85°C, 3000K, lm)	RATED LED POWER* (Tj=85°C, W)	Ta MAX (°C)
MX PRO 2 5P5 7030.140-5M		140	17220	125	137	19503	113	50
MX PRO 2 5P5 7030.140-6M			20590	150	137	23404	136	50
MX PRO 2 5P5 7030.140-7M			23830	177	134	27304	159	50
MX PRO 2 5P5 7030.140-8M			27030	200	135	31205	181	50
MX PRO 2 5P5 7030.140-9M			30420	225	135	35105	204	50
MX PRO 2 5P5 7030.180-5M			180		21440	164	130	24565
MX PRO 2 5P5 7030.180-6M	25550	197			129	29478	177	50
MX PRO 2 5P5 7030.180-7M	29500	231			127	34391	207	35
MX PRO 2 5P5 7030.180-8M	33390	263			126	39303	236	35
MX PRO 2 5P5 7030.180-9M	37570	296			126	44216	266	35

*RATED LUMINAIRE FLUX / RATED LUMINAIRE POWER: Rated data obtained in laboratory.

*RATED LED FLUX / RATED LED POWER: Rated data extrapolated from LED manufacturer datasheet.

Values indicated in this technical sheet are to be considered rated values. Flux tolerance: $\pm 7\%$. Power tolerance: $\pm 7\%$.

Power tolerance with ZHAGA version or power supply D4i/SR: $\pm 10\%$.

The characteristics of the product listed above are subjected to change without notice.

LUMINAIRE	OPTIC	LED CURRENT (mA)	RATED LUMINAIRE FLUX* (Tq=25°C, 2700K, lm)	RATED LUMINAIRE POWER* (Tq=25°C, Vin=230Vac, F/DA/DAC, W)	LUMINAIRE EFFICACY (Tq=25°C, lm/W)	RATED LED FLUX* (Tj=85°C, 2700K, lm)	RATED LED POWER* (Tj=85°C, W)	Ta MAX (°C)	
MX PRO 2 5P5 7027.060-5M	STE-M STU-M STW SV	60	8060	53.4	150	8311	47	50	
MX PRO 2 5P5 7027.060-6M			9670	63.9	151	9973	56.4	50	
MX PRO 2 5P5 7027.060-7M			11330	74.4	152	11635	65.8	50	
MX PRO 2 5P5 7027.060-8M			12950	86.5	149	13297	75.2	50	
MX PRO 2 5P5 7027.060-9M			14570	97.4	149	14959	84.6	50	
MX PRO 2 5P5 7027.100-5M			100	13030	88.6	147	13604	79.8	50
MX PRO 2 5P5 7027.100-6M		15620		106	147	16324	95.7	50	
MX PRO 2 5P5 7027.100-7M		18210		125	145	19045	112	50	
MX PRO 2 5P5 7027.100-8M		20750		142	146	21766	128	50	
MX PRO 2 5P5 7027.100-9M		23340		160	145	24486	144	50	
MX PRO 2 5P5 7027.140-5M		140		17660	125	141	18673	113	50
MX PRO 2 5P5 7027.140-6M			21110	150	140	22408	136	50	
MX PRO 2 5P5 7027.140-7M			24450	177	138	26142	159	50	
MX PRO 2 5P5 7027.140-8M			27730	200	138	29877	181	50	
MX PRO 2 5P5 7027.140-9M			31190	225	138	33612	204	50	
MX PRO 2 5P5 7027.180-5M			180	21990	164	134	23519	148	50
MX PRO 2 5P5 7027.180-6M		26210		197	133	28223	177	50	
MX PRO 2 5P5 7027.180-7M		30270		231	131	32927	207	35	
MX PRO 2 5P5 7027.180-8M		34250		263	130	37631	236	35	
MX PRO 2 5P5 7027.180-9M		38530		296	130	42335	266	35	
MX PRO 2 5P5 7027.060-5M		S05 S07 STA STE-S STU-S		60	7870	53.4	147	8311	47
MX PRO 2 5P5 7027.060-6M			9450		63.9	147	9973	56.4	50
MX PRO 2 5P5 7027.060-7M			11070		74.4	148	11635	65.8	50
MX PRO 2 5P5 7027.060-8M			12670		86.5	146	13297	75.2	50
MX PRO 2 5P5 7027.060-9M	14250		97.4		146	14959	84.6	50	
MX PRO 2 5P5 7027.100-5M	100		12740		88.6	143	13604	79.8	50
MX PRO 2 5P5 7027.100-6M			15260	106	143	16324	95.7	50	
MX PRO 2 5P5 7027.100-7M			17800	125	142	19045	112	50	
MX PRO 2 5P5 7027.100-8M			20300	142	142	21766	128	50	
MX PRO 2 5P5 7027.100-9M			22830	160	142	24486	144	50	

LUMINAIRE	OPTIC	LED CURRENT (mA)	RATED LUMINAIRE FLUX* (Tq=25°C, 2700K, lm)	RATED LUMINAIRE POWER* (Tq=25°C, Vin=230Vac, F/DA/DAC, W)	LUMINAIRE EFFICACY (Tq=25°C, lm/W)	RATED LED FLUX* (Tj=85°C, 2700K, lm)	RATED LED POWER* (Tj=85°C, W)	Ta MAX (°C)
MX PRO 2 5P5 7027.140-5M			17270	125	138	18673	113	50
MX PRO 2 5P5 7027.140-6M			20650	150	137	22408	136	50
MX PRO 2 5P5 7027.140-7M		140	23900	177	135	26142	159	50
MX PRO 2 5P5 7027.140-8M			27120	200	135	29877	181	50
MX PRO 2 5P5 7027.140-9M			30510	225	135	33612	204	50
MX PRO 2 5P5 7027.180-5M			21510	164	131	23519	148	50
MX PRO 2 5P5 7027.180-6M			25630	197	130	28223	177	50
MX PRO 2 5P5 7027.180-7M		180	29590	231	128	32927	207	35
MX PRO 2 5P5 7027.180-8M			33490	263	127	37631	236	35
MX PRO 2 5P5 7027.180-9M			37680	296	127	42335	266	35
MX PRO 2 5P5 7027.060-5M			7870	53.4	147	8311	47	50
MX PRO 2 5P5 7027.060-6M			9450	63.9	147	9973	56.4	50
MX PRO 2 5P5 7027.060-7M		60	11070	74.4	148	11635	65.8	50
MX PRO 2 5P5 7027.060-8M			12670	86.5	146	13297	75.2	50
MX PRO 2 5P5 7027.060-9M			14250	97.4	146	14959	84.6	50
MX PRO 2 5P5 7027.100-5M			12740	88.6	143	13604	79.8	50
MX PRO 2 5P5 7027.100-6M			15260	106	143	16324	95.7	50
MX PRO 2 5P5 7027.100-7M		100	17800	125	142	19045	112	50
MX PRO 2 5P5 7027.100-8M			20300	142	142	21766	128	50
MX PRO 2 5P5 7027.100-9M	AS-45M AS-45N AS-45W		22830	160	142	24486	144	50
MX PRO 2 5P5 7027.140-5M			17270	125	138	18673	113	50
MX PRO 2 5P5 7027.140-6M			20650	150	137	22408	136	50
MX PRO 2 5P5 7027.140-7M		140	23900	177	135	26142	159	50
MX PRO 2 5P5 7027.140-8M			27120	200	135	29877	181	50
MX PRO 2 5P5 7027.140-9M			30510	225	135	33612	204	50
MX PRO 2 5P5 7027.180-5M			21510	164	131	23519	148	50
MX PRO 2 5P5 7027.180-6M			25630	197	130	28223	177	50
MX PRO 2 5P5 7027.180-7M		180	29590	231	128	32927	207	35
MX PRO 2 5P5 7027.180-8M			33490	263	127	37631	236	35
MX PRO 2 5P5 7027.180-9M			37680	296	127	42335	266	35

LUMINAIRE	OPTIC	LED CURRENT (mA)	RATED LUMINAIRE FLUX* (Tq=25°C, 2700K, lm)	RATED LUMINAIRE POWER* (Tq=25°C, Vin=230Vac, F/DA/DAC, W)	LUMINAIRE EFFICACY (Tq=25°C, lm/W)	RATED LED FLUX* (Tj=85°C, 2700K, lm)	RATED LED POWER* (Tj=85°C, W)	Ta MAX (°C)
MX PRO 2 5P5 7027.060-5M	AS-55M AS-55N AS-55W	60	7780	53.4	145	8311	47	50
MX PRO 2 5P5 7027.060-6M			9340	63.9	146	9973	56.4	50
MX PRO 2 5P5 7027.060-7M			10950	74.4	147	11635	65.8	50
MX PRO 2 5P5 7027.060-8M			12520	86.5	144	13297	75.2	50
MX PRO 2 5P5 7027.060-9M			14090	97.4	144	14959	84.6	50
MX PRO 2 5P5 7027.100-5M		100	12590	88.6	142	13604	79.8	50
MX PRO 2 5P5 7027.100-6M			15090	106	142	16324	95.7	50
MX PRO 2 5P5 7027.100-7M			17600	125	140	19045	112	50
MX PRO 2 5P5 7027.100-8M			20060	142	141	21766	128	50
MX PRO 2 5P5 7027.100-9M			22570	160	141	24486	144	50
MX PRO 2 5P5 7027.140-5M		140	17070	125	136	18673	113	50
MX PRO 2 5P5 7027.140-6M			20410	150	136	22408	136	50
MX PRO 2 5P5 7027.140-7M			23630	177	133	26142	159	50
MX PRO 2 5P5 7027.140-8M			26810	200	134	29877	181	50
MX PRO 2 5P5 7027.140-9M			30160	225	134	33612	204	50
MX PRO 2 5P5 7027.180-5M		180	21260	164	129	23519	148	50
MX PRO 2 5P5 7027.180-6M			25340	197	128	28223	177	50
MX PRO 2 5P5 7027.180-7M			29250	231	126	32927	207	35
MX PRO 2 5P5 7027.180-8M			33120	263	125	37631	236	35
MX PRO 2 5P5 7027.180-9M			37250	296	125	42335	266	35
MX PRO 2 5P5 7027.060-5M	AS-65M AS-65N AS-65W	60	7520	53.4	140	8311	47	50
MX PRO 2 5P5 7027.060-6M			9020	63.9	141	9973	56.4	50
MX PRO 2 5P5 7027.060-7M			10570	74.4	142	11635	65.8	50
MX PRO 2 5P5 7027.060-8M			12100	86.5	139	13297	75.2	50
MX PRO 2 5P5 7027.060-9M			13610	97.4	139	14959	84.6	50
MX PRO 2 5P5 7027.100-5M		100	12160	88.6	137	13604	79.8	50
MX PRO 2 5P5 7027.100-6M			14570	106	137	16324	95.7	50
MX PRO 2 5P5 7027.100-7M			16990	125	135	19045	112	50
MX PRO 2 5P5 7027.100-8M			19380	142	136	21766	128	50
MX PRO 2 5P5 7027.100-9M			21800	160	136	24486	144	50

LUMINAIRE	OPTIC	LED CURRENT (mA)	RATED LUMINAIRE FLUX* (Tq=25°C, 2700K, lm)	RATED LUMINAIRE POWER* (Tq=25°C, Vin=230Vac, F/DA/DAC, W)	LUMINAIRE EFFICACY (Tq=25°C, lm/W)	RATED LED FLUX* (Tj=85°C, 2700K, lm)	RATED LED POWER* (Tj=85°C, W)	Ta MAX (°C)
MX PRO 2 5P5 7027.140-5M		140	16490	125	131	18673	113	50
MX PRO 2 5P5 7027.140-6M			19710	150	131	22408	136	50
MX PRO 2 5P5 7027.140-7M			22820	177	128	26142	159	50
MX PRO 2 5P5 7027.140-8M			25880	200	129	29877	181	50
MX PRO 2 5P5 7027.140-9M			29120	225	129	33612	204	50
MX PRO 2 5P5 7027.180-5M		180	20530	164	125	23519	148	50
MX PRO 2 5P5 7027.180-6M			24470	197	124	28223	177	50
MX PRO 2 5P5 7027.180-7M			28250	231	122	32927	207	35
MX PRO 2 5P5 7027.180-8M			31970	263	121	37631	236	35
MX PRO 2 5P5 7027.180-9M			35970	296	121	42335	266	35

*RATED LUMINAIRE FLUX / RATED LUMINAIRE POWER: Rated data obtained in laboratory.

*RATED LED FLUX / RATED LED POWER: Rated data extrapolated from LED manufacturer datasheet.

Values indicated in this technical sheet are to be considered rated values. Flux tolerance: $\pm 7\%$. Power tolerance: $\pm 7\%$.

Power tolerance with ZHAGA version or power supply D4i/SR: $\pm 10\%$.

The characteristics of the product listed above are subjected to change without notice.

LUMINAIRE	OPTIC	LED CURRENT (mA)	RATED LUMINAIRE FLUX* (Tq=25°C, 2200K, lm)	RATED LUMINAIRE POWER* (Tq=25°C, Vin=230Vac, F/DA/DAC, W)	LUMINAIRE EFFICACY (Tq=25°C, lm/W)	RATED LED FLUX* (Tj=85°C, 2200K, lm)	RATED LED POWER* (Tj=85°C, W)	Ta MAX (°C)
MX PRO 2 5P5 7022.060-5M	STE-M STU-M STW SV	60	7260	53.4	135	7480	47	50
MX PRO 2 5P5 7022.060-6M			8710	63.9	136	8976	56.4	50
MX PRO 2 5P5 7022.060-7M			10190	74.4	136	10472	65.8	50
MX PRO 2 5P5 7022.060-8M			11660	86.5	134	11968	75.2	50
MX PRO 2 5P5 7022.060-9M			13120	97.4	134	13464	84.6	50
MX PRO 2 5P5 7022.100-5M		100	11730	88.6	132	12243	79.8	50
MX PRO 2 5P5 7022.100-6M			14060	106	132	14692	95.7	50
MX PRO 2 5P5 7022.100-7M			16390	125	131	17140	112	50
MX PRO 2 5P5 7022.100-8M			18670	142	131	19589	128	50
MX PRO 2 5P5 7022.100-9M			21000	160	131	22038	144	50
MX PRO 2 5P5 7022.140-5M		140	15890	125	127	16806	113	50
MX PRO 2 5P5 7022.140-6M			19000	150	126	20167	136	50
MX PRO 2 5P5 7022.140-7M			22010	177	124	23528	159	50
MX PRO 2 5P5 7022.140-8M			24960	200	124	26889	181	50
MX PRO 2 5P5 7022.140-9M			28070	225	124	30250	204	50
MX PRO 2 5P5 7022.180-5M		180	19790	164	120	21167	148	50
MX PRO 2 5P5 7022.180-6M			23580	197	119	25401	177	50
MX PRO 2 5P5 7022.180-7M			27240	231	117	29634	207	35
MX PRO 2 5P5 7022.180-8M			30830	263	117	33868	236	35
MX PRO 2 5P5 7022.180-9M			34680	296	117	38101	266	35
MX PRO 2 5P5 7022.060-5M	S05 S07 STA STE-S STU-S	60	7080	53.4	132	7480	47	50
MX PRO 2 5P5 7022.060-6M			8500	63.9	133	8976	56.4	50
MX PRO 2 5P5 7022.060-7M			9970	74.4	134	10472	65.8	50
MX PRO 2 5P5 7022.060-8M			11410	86.5	131	11968	75.2	50
MX PRO 2 5P5 7022.060-9M			12830	97.4	131	13464	84.6	50
MX PRO 2 5P5 7022.100-5M		100	11460	88.6	129	12243	79.8	50
MX PRO 2 5P5 7022.100-6M			13740	106	129	14692	95.7	50
MX PRO 2 5P5 7022.100-7M			16020	125	128	17140	112	50
MX PRO 2 5P5 7022.100-8M			18270	142	128	19589	128	50
MX PRO 2 5P5 7022.100-9M			20550	160	128	22038	144	50

LUMINAIRE	OPTIC	LED CURRENT (mA)	RATED LUMINAIRE FLUX* (Tq=25°C, 2200K, lm)	RATED LUMINAIRE POWER* (Tq=25°C, Vin=230Vac, F/DA/DAC, W)	LUMINAIRE EFFICACY (Tq=25°C, lm/W)	RATED LED FLUX* (Tj=85°C, 2200K, lm)	RATED LED POWER* (Tj=85°C, W)	Ta MAX (°C)		
MX PRO 2 5P5 7022.140-5M		140	15540	125	124	16806	113	50		
MX PRO 2 5P5 7022.140-6M			18580	150	123	20167	136	50		
MX PRO 2 5P5 7022.140-7M			21510	177	121	23528	159	50		
MX PRO 2 5P5 7022.140-8M			24410	200	122	26889	181	50		
MX PRO 2 5P5 7022.140-9M			27460	225	122	30250	204	50		
MX PRO 2 5P5 7022.180-5M			180	180	19350	164	117	21167	148	50
MX PRO 2 5P5 7022.180-6M					23070	197	117	25401	177	50
MX PRO 2 5P5 7022.180-7M					26630	231	115	29634	207	35
MX PRO 2 5P5 7022.180-8M					30140	263	114	33868	236	35
MX PRO 2 5P5 7022.180-9M	33910	296			114	38101	266	35		
MX PRO 2 5P5 7022.060-5M	AS-45M AS-45N AS-45W	60	7080	53.4	132	7480	47	50		
MX PRO 2 5P5 7022.060-6M			8500	63.9	133	8976	56.4	50		
MX PRO 2 5P5 7022.060-7M			9970	74.4	134	10472	65.8	50		
MX PRO 2 5P5 7022.060-8M			11410	86.5	131	11968	75.2	50		
MX PRO 2 5P5 7022.060-9M			12830	97.4	131	13464	84.6	50		
MX PRO 2 5P5 7022.100-5M			100	100	11460	88.6	129	12243	79.8	50
MX PRO 2 5P5 7022.100-6M					13740	106	129	14692	95.7	50
MX PRO 2 5P5 7022.100-7M					16020	125	128	17140	112	50
MX PRO 2 5P5 7022.100-8M					18270	142	128	19589	128	50
MX PRO 2 5P5 7022.100-9M	20550	160			128	22038	144	50		
MX PRO 2 5P5 7022.140-5M	140	140	15540	125	124	16806	113	50		
MX PRO 2 5P5 7022.140-6M			18580	150	123	20167	136	50		
MX PRO 2 5P5 7022.140-7M			21510	177	121	23528	159	50		
MX PRO 2 5P5 7022.140-8M			24410	200	122	26889	181	50		
MX PRO 2 5P5 7022.140-9M			27460	225	122	30250	204	50		
MX PRO 2 5P5 7022.180-5M			180	180	19350	164	117	21167	148	50
MX PRO 2 5P5 7022.180-6M					23070	197	117	25401	177	50
MX PRO 2 5P5 7022.180-7M					26630	231	115	29634	207	35
MX PRO 2 5P5 7022.180-8M					30140	263	114	33868	236	35
MX PRO 2 5P5 7022.180-9M	33910	296			114	38101	266	35		

LUMINAIRE	OPTIC	LED CURRENT (mA)	RATED LUMINAIRE FLUX* (Tq=25°C, 2200K, lm)	RATED LUMINAIRE POWER* (Tq=25°C, Vin=230Vac, F/DA/DAC, W)	LUMINAIRE EFFICACY (Tq=25°C, lm/W)	RATED LED FLUX* (Tj=85°C, 2200K, lm)	RATED LED POWER* (Tj=85°C, W)	Ta MAX (°C)	
MX PRO 2 5P5 7022.060-5M	AS-55M AS-55N AS-55W	60	7000	53.4	131	7480	47	50	
MX PRO 2 5P5 7022.060-6M			8410	63.9	131	8976	56.4	50	
MX PRO 2 5P5 7022.060-7M			9860	74.4	132	10472	65.8	50	
MX PRO 2 5P5 7022.060-8M			11270	86.5	130	11968	75.2	50	
MX PRO 2 5P5 7022.060-9M			12680	97.4	130	13464	84.6	50	
MX PRO 2 5P5 7022.100-5M			11330	88.6	127	12243	79.8	50	
MX PRO 2 5P5 7022.100-6M		100	13580	106	128	14692	95.7	50	
MX PRO 2 5P5 7022.100-7M			15840	125	126	17140	112	50	
MX PRO 2 5P5 7022.100-8M			18050	142	127	19589	128	50	
MX PRO 2 5P5 7022.100-9M			20310	160	126	22038	144	50	
MX PRO 2 5P5 7022.140-5M			140	15370	125	122	16806	113	50
MX PRO 2 5P5 7022.140-6M				18370	150	122	20167	136	50
MX PRO 2 5P5 7022.140-7M		21270		177	120	23528	159	50	
MX PRO 2 5P5 7022.140-8M		24130		200	120	26889	181	50	
MX PRO 2 5P5 7022.140-9M		27140		225	120	30250	204	50	
MX PRO 2 5P5 7022.180-5M		180		19130	164	116	21167	148	50
MX PRO 2 5P5 7022.180-6M			22800	197	115	25401	177	50	
MX PRO 2 5P5 7022.180-7M			26330	231	113	29634	207	35	
MX PRO 2 5P5 7022.180-8M	29800		263	113	33868	236	35		
MX PRO 2 5P5 7022.180-9M	33530		296	113	38101	266	35		
MX PRO 2 5P5 7022.060-5M	AS-65M AS-65N AS-65W		60	6760	53.4	126	7480	47	50
MX PRO 2 5P5 7022.060-6M		8120		63.9	127	8976	56.4	50	
MX PRO 2 5P5 7022.060-7M		9510		74.4	127	10472	65.8	50	
MX PRO 2 5P5 7022.060-8M		10890		86.5	125	11968	75.2	50	
MX PRO 2 5P5 7022.060-9M		12250		97.4	125	13464	84.6	50	
MX PRO 2 5P5 7022.100-5M		100	10940	88.6	123	12243	79.8	50	
MX PRO 2 5P5 7022.100-6M			13110	106	123	14692	95.7	50	
MX PRO 2 5P5 7022.100-7M			15290	125	122	17140	112	50	
MX PRO 2 5P5 7022.100-8M			17440	142	122	19589	128	50	
MX PRO 2 5P5 7022.100-9M			19620	160	122	22038	144	50	

LUMINAIRE	OPTIC	LED CURRENT (mA)	RATED LUMINAIRE FLUX* (Tq=25°C, 2200K, lm)	RATED LUMINAIRE POWER* (Tq=25°C, Vin=230Vac, F/DA/DAC, W)	LUMINAIRE EFFICACY (Tq=25°C, lm/W)	RATED LED FLUX* (Tj=85°C, 2200K, lm)	RATED LED POWER* (Tj=85°C, W)	Ta MAX (°C)
MX PRO 2 5P5 7022.140-5M			14840	125	118	16806	113	50
MX PRO 2 5P5 7022.140-6M			17740	150	118	20167	136	50
MX PRO 2 5P5 7022.140-7M		140	20530	177	115	23528	159	50
MX PRO 2 5P5 7022.140-8M			23300	200	116	26889	181	50
MX PRO 2 5P5 7022.140-9M			26210	225	116	30250	204	50
MX PRO 2 5P5 7022.180-5M			18470	164	112	21167	148	50
MX PRO 2 5P5 7022.180-6M			22020	197	111	25401	177	50
MX PRO 2 5P5 7022.180-7M		180	25420	231	110	29634	207	35
MX PRO 2 5P5 7022.180-8M			28770	263	109	33868	236	35
MX PRO 2 5P5 7022.180-9M			32370	296	109	38101	266	35

*RATED LUMINAIRE FLUX / RATED LUMINAIRE POWER: Rated data obtained in laboratory.

*RATED LED FLUX / RATED LED POWER: Rated data extrapolated from LED manufacturer datasheet.

Values indicated in this technical sheet are to be considered rated values. Flux tolerance: $\pm 7\%$. Power tolerance: $\pm 7\%$.

Power tolerance with ZHAGA version or power supply D4i/SR: $\pm 10\%$.

The characteristics of the product listed above are subjected to change without notice.