

iBox

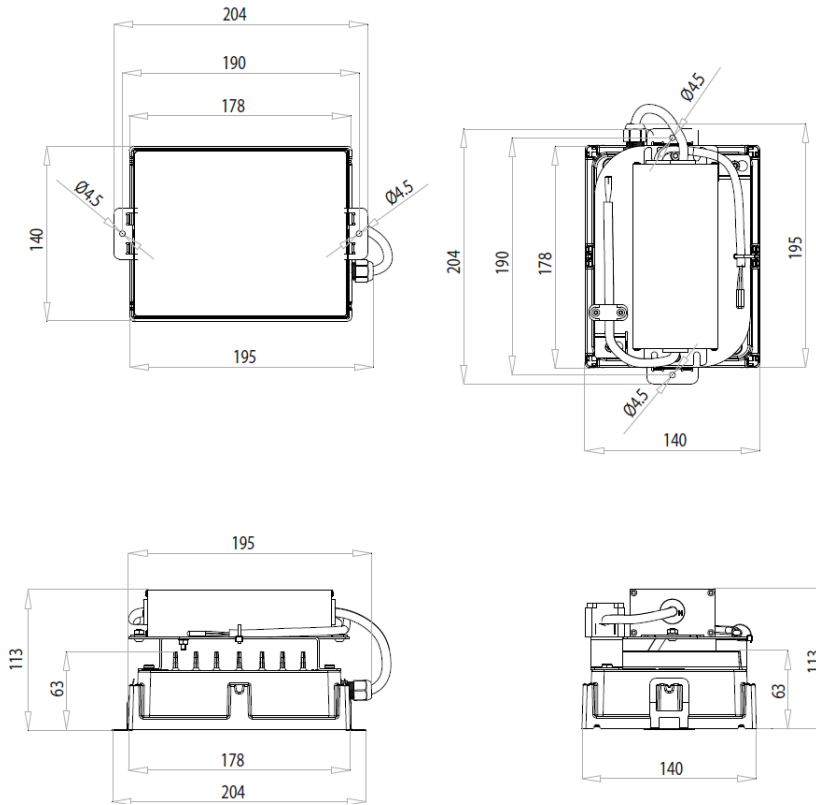
MAIN CHARACTERISTICS

Applications	Street lighting.	
Optic	<p>STU-M/S: Asymmetrical optic for street, urban and cycle-path lighting. STE-M/S: Asymmetrical optic for suburban street lighting. STW: Asymmetrical optic for wide urban and suburban road lighting, specific for wet asphalts. SV/SV2: Asymmetrical optic for very narrow urban streets or highway entrance/exit turns. S05: Asymmetrical optic for street, urban and green areas lighting. S: Symmetrical optic for urban lighting and green areas. TS: Symmetrical optic for centre road lighting. Colour temperature: 4000K (3000K optional) CRI ≥ 70 Photobiological safety class: EXEMPT GROUP LED source efficiency: 168 lm/W @ 525mA, Tj=85°C, 4000K</p>	
Insulation class	II, I	
Protection degree	<p>Optical unit: IP66 Driver: IP67 IK08</p>	
Dimensions	<i>See the drawing</i>	
Weight	1 - 2 LED Modules: max 1,8 kg	3 - 4 LED Modules: max: 3,6 kg
Mounting	Prepared for mounting on plate	
Gear tray	Removable	
Operating temp.	-40°C / +35°C	
Storage temperature	-40°C / +80°C	
Main reference standards	EN 62031, EN 62778, EN 62717, EN 61347-1, EN 61374-2-13, EN 62384, EN 61547	
ELECTRICAL CHARACTERISTICS		
Rated voltage	220÷240V 50/60Hz	
Power factor	>0,9 (at full load)	
Mains connection	<p>Cable: H05RN-F 2/3x1mm² L = 0.65 m. Optional: connector M/F IP66/68 for cables max. 2,5mm², Ø max. 12mm</p>	
Surge protection	<p>CL. II: 8kV / 10kV CM/DM CL. I: 8kV / 10kV CM/DM (optional)</p>	
Control system (options)	<p>F: Fixed power not dimmable. DA: Automatic dimming (virtual midnight) with default profile. DAC: Custom DA profile. FLC: Constant light flux. D10: Dimming interface with 1-10V signal.</p>	
Optical unit lifetime (Tq=25°C, 700mA)	<p>>100.000hr L90B10 >100.000hr L90, TM-21</p>	
MATERIALS		
Optical unit	Die-cast aluminum UNI EN1706 powder painted.	
Optic	99.85% aluminum with a surface finish in 99.95% with vacuum-sealed deposition. Aluminum grade class A+ (DIN EN 16268)	
Screen	Flat tempered glass, 4mm thickness PCG.	
Colour	Graphite - Cod. 01	

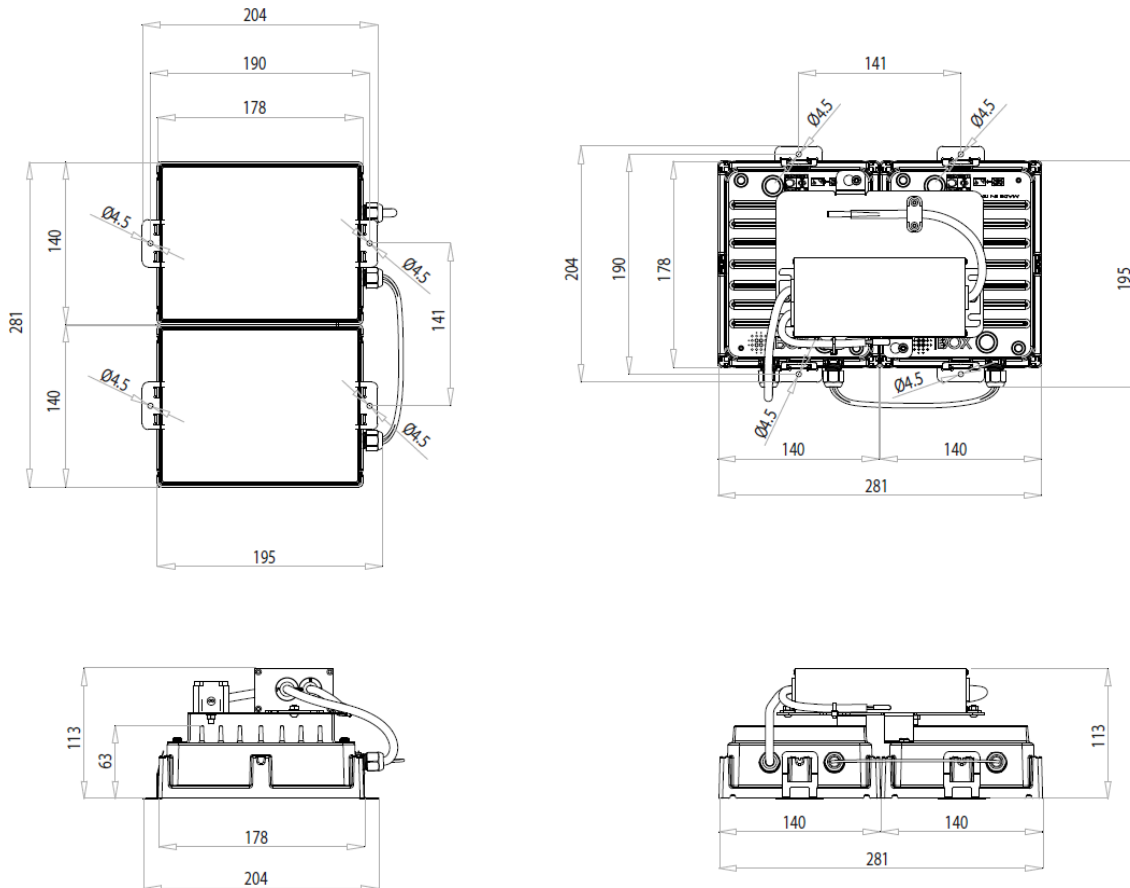


DIMENSIONAL DRAWINGS

1 – 2 LED MODULES



3 – 4 LED MODULES





LUMINAIRE	OPTIC	LED CURRENT (mA)	RATED LUMINAIRE FLUX* (Tq=25°C, 4000K, lm)	RATED LUMINAIRE POWER* (Tq=25°C, Vin=230Vac, F/DA/DAC, W)	LUMINAIRE EFFICACY (Tq=25°C, lm/W)	RATED LED FLUX* (Tj=85°C, 4000K, lm)	RATED LED POWER* (Tj=85°C, W)
iBox 0F2H1 4.5-1M PCG	S05 STU-M STU-S SV SV2 TS	525	1690	16.5	102	2184	13
iBox 0F2H1 4.5-2M PCG			3320	31	107	4368	26
iBox 0F2H1 4.5-3M PCG			4980	45	110	6553	39
iBox 0F2H1 4.5-4M PCG			6430	58	110	8737	52
iBox 0F2H1 4.7-1M PCG	S05 STU-M STU-S SV SV2 TS	700	2180	22	99	2765	17
iBox 0F2H1 4.7-2M PCG			4250	41	103	5530	35
iBox 0F2H1 4.7-3M PCG			6330	59	107	8295	53
iBox 0F2H1 4.7-4M PCG			8090	77.5	104	11060	71
iBox 0F3 4.5-1M PCG	STE-M STE-S STW	525	2350	22	106	2950	17
iBox 0F3 4.5-2M PCG			4640	40	116	5901	34
iBox 0F3 4.5-3M PCG			6740	58	116	8851	52
iBox 0F3 4.5-4M PCG			8950	77.5	115	11802	69
iBox 0F3 4.7-1M PCG	STE-M STE-S STW	700	2940	28.5	103	3735	23
iBox 0F3 4.7-2M PCG			5880	53	110	7470	47
iBox 0F3 4.7-3M PCG			8480	77.5	109	11205	71
iBox 0F3 4.5-1M PCG	S05	525	2260	22	102	2950	17
iBox 0F3 4.5-2M PCG			4460	40	111	5901	34
iBox 0F3 4.5-3M PCG			6470	58	111	8851	52
iBox 0F3 4.5-4M PCG			8600	77.5	110	11802	69
iBox 0F3 4.7-1M PCG	S05	700	2830	28.5	99	3735	23
iBox 0F3 4.7-2M PCG			5640	53	106	7470	47
iBox 0F3 4.7-3M PCG			8140	77.5	105	11205	71



LUMINAIRE	OPTIC	LED CURRENT (mA)	RATED LUMINAIRE FLUX* (Tq=25°C, 4000K, lm)	RATED LUMINAIRE POWER* (Tq=25°C, Vin=230Vac, F/DA/DAC, W)	LUMINAIRE EFFICACY (Tq=25°C, lm/W)	RATED LED FLUX* (Tj=85°C, 4000K, lm)	RATED LED POWER* (Tj=85°C, W)
iBox 0F2H1 4.5-2M PCG	S	525	3320	31	107	4368	26
iBox 0F2H1 4.5-4M PCG			6430	58	110	8737	52
iBox 0F2H1 4.7-2M PCG	S	700	4250	41	103	5530	35
iBox 0F2H1 4.7-4M PCG			8090	77.5	104	11060	71

*RATED LUMINAIRE FLUX / RATED LUMINAIRE POWER: Rated data obtained in laboratory.

*RATED LED FLUX / RATED LED POWER: Rated data extrapolated from LED manufacturer datasheet.

Values indicated in this technical sheet are to be considered rated values. Flux tolerance: ±7%. Power tolerance: ±10%.

The characteristics of the product listed above are subjected to change without notice.



LUMINAIRE	OPTIC	LED CURRENT (mA)	RATED LUMINAIRE FLUX* (Tq=25°C, 3000K, lm)	RATED LUMINAIRE POWER* (Tq=25°C, Vin=230Vac, F/DA/DAC, W)	LUMINAIRE EFFICACY (Tq=25°C, lm/W)	RATED LED FLUX* (Tj=85°C, 3000K, lm)	RATED LED POWER* (Tj=85°C, W)
iBox 0F2H1 3.5-1M PCG	S05	525	1580	16.5	95	1990	13
iBox 0F2H1 3.5-2M PCG	STU-M		3100	31	100	3981	26
iBox 0F2H1 3.5-3M PCG	STU-S		4640	45	103	5972	39
iBox 0F2H1 3.5-4M PCG	SV SV2 TS		6000	58	103	7963	52
iBox 0F2H1 3.7-1M PCG	S05	700	2030	22	92	2520	17
iBox 0F2H1 3.7-2M PCG	STU-M		3960	41	96	5040	35
iBox 0F2H1 3.7-3M PCG	STU-S		5900	59	100	7560	53
iBox 0F2H1 3.7-4M PCG	SV SV2 TS		7540	77.5	97	10080	71
iBox 0F3 3.5-1M PCG	STE-M STE-S STW	525	2190	22	99	2701	17
iBox 0F3 3.5-2M PCG			4320	40	108	5403	34
iBox 0F3 3.5-3M PCG			6290	58	108	8105	52
iBox 0F3 3.5-4M PCG			8340	77.5	107	10807	69
iBox 0F3 3.7-1M PCG	STE-M	700	2740	28.5	96	3420	23
iBox 0F3 3.7-2M PCG	STE-S		5480	53	103	6840	47
iBox 0F3 3.7-3M PCG	STW		7910	77.5	102	10260	71
iBox 0F3 3.5-1M PCG	S05	525	2100	22	95	2701	17
iBox 0F3 3.5-2M PCG			4160	40	104	5403	34
iBox 0F3 3.5-3M PCG			6040	58	104	8105	52
iBox 0F3 3.5-4M PCG			8020	77.5	103	10807	69
iBox 0F3 3.7-1M PCG	S05	700	2630	28.5	92	3420	23
iBox 0F3 3.7-2M PCG			5250	53	99	6840	47
iBox 0F3 3.7-3M PCG			7590	77.5	97	10260	71



LUMINAIRE	OPTIC	LED CURRENT (mA)	RATED LUMINAIRE FLUX* (Tq=25°C, 3000K, lm)	RATED LUMINAIRE POWER* (Tq=25°C, Vin=230Vac, F/DA/DAC, W)	LUMINAIRE EFFICACY (Tq=25°C, lm/W)	RATED LED FLUX* (Tj=85°C, 3000K, lm)	RATED LED POWER* (Tj=85°C, W)
iBox 0F2H1 3.5-2M PCG	S	525	3090	31	99	3981	26
iBox 0F2H1 3.5-4M PCG			6000	58	103	7963	52
iBox 0F2H1 3.7-2M PCG	S	700	3960	41	96	5040	35
iBox 0F2H1 3.7-4M PCG			7540	77.5	97	10080	71

*RATED LUMINAIRE FLUX / RATED LUMINAIRE POWER: Rated data obtained in laboratory.

*RATED LED FLUX / RATED LED POWER: Rated data extrapolated from LED manufacturer datasheet.

Values indicated in this technical sheet are to be considered rated values. Flux tolerance: ±7%. Power tolerance: ±10%.

The characteristics of the product listed above are subjected to change without notice.